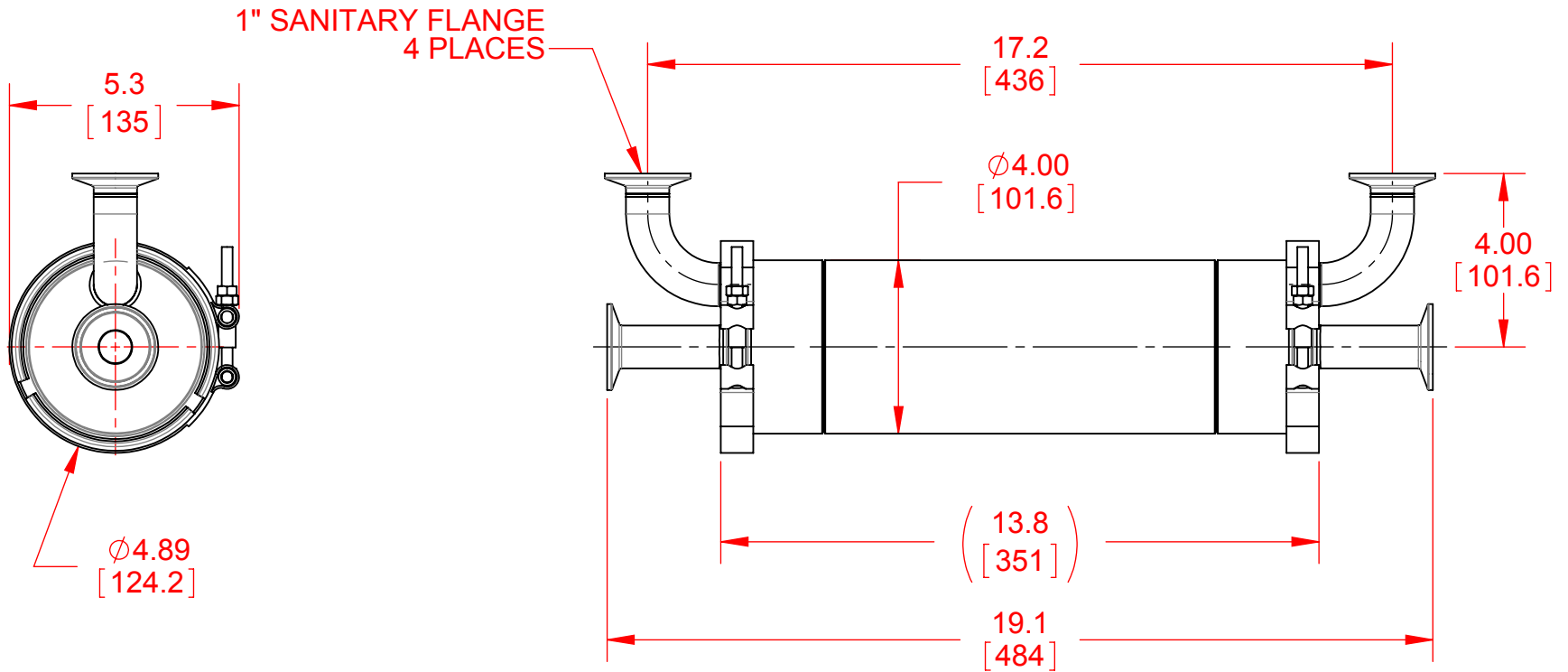


REV.	DESCRIPTION	DATE	APPR.
1	ECN-2012-0041	3/28/2012	EWB



<p><b>CONFIDENTIAL</b></p> <p>THE INFORMATION CONTAINED HEREIN IS CONFIDENTIAL, IS THE PROPERTY OF MEMBRANA-CHARLOTTE, AND MAY NOT BE USED BY OR DISCLOSED TO OTHERS WITHOUT THE WRITTEN CONSENT OF MEMBRANA. ALSO, THE INFORMATION CONTAINED HEREIN MAY NOT BE USED FOR ANY PURPOSE OTHER THAN THE EXPRESSED INTENT FOR WHICH IT WAS LENT.</p> <p>© 2012 Membrana-Charlotte. All rights reserved.</p>	<p>INTERPRET GEOMETRIC TOLERANCING PER: ANSI Y14</p>		<p>SCALE: 1:2</p>		NAME	DATE	
	<p>MATERIAL</p>		<p>WT:</p>	<p>Purchase Spec:</p>	DRAWN	TDP	
	<p>DO NOT SCALE DRAWING</p>		<p>SIZE <b>A</b></p>	<p>TITLE: <b>4 X 13 S.S. HOUSING W/1" SANITARY PORTS</b></p>			
			<p>PART NO.</p>	<p>DWG. NO.</p> <p><b>SMC-0104-12-7303</b></p>	<p>SHEET</p> <p>1 OF 1</p>	<p>REV</p> <p><b>1</b></p>	