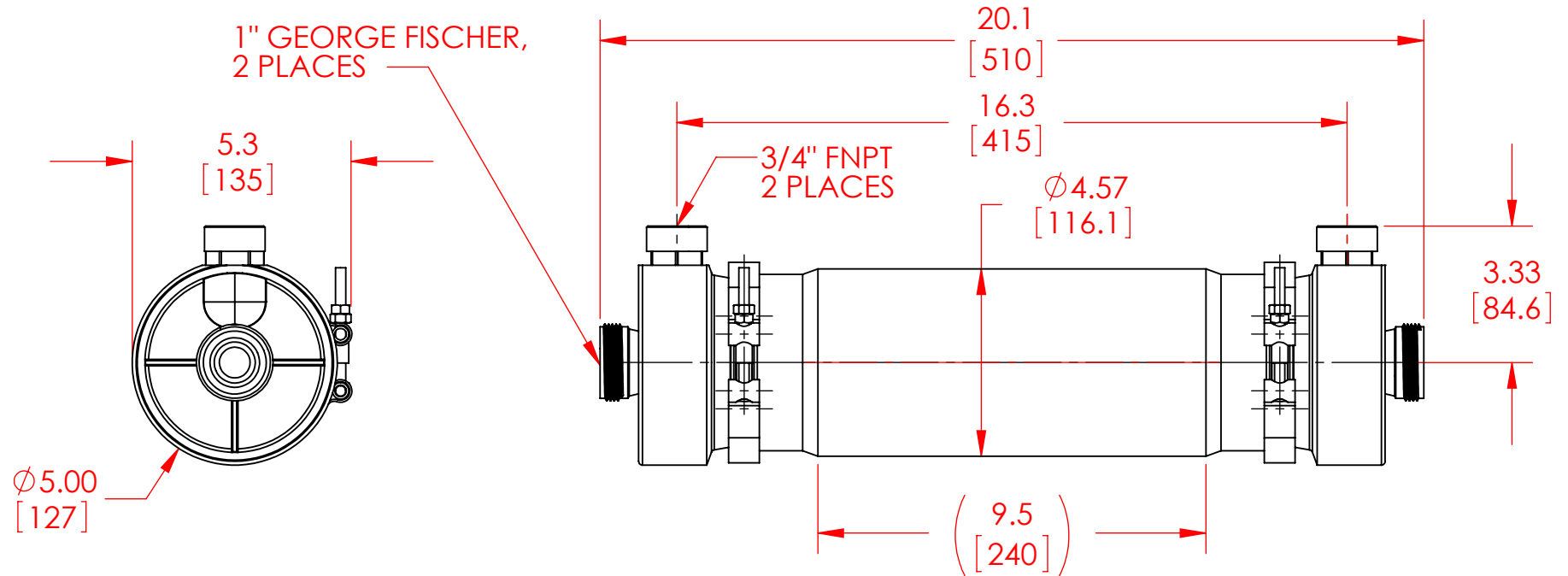


REV.	DESCRIPTION	DATE	APPR.
1	ECN-2012-0042	3/28/2012	EWB



CONFIDENTIAL

THE INFORMATION CONTAINED HEREIN IS CONFIDENTIAL, IS THE PROPERTY OF MEMBRANA-CHARLOTTE, AND MAY NOT BE USED BY OR DISCLOSED TO OTHERS WITHOUT THE WRITTEN CONSENT OF MEMBRANA. ALSO, THE INFORMATION CONTAINED HEREIN MAY NOT BE USED FOR ANY PURPOSE OTHER THAN THE EXPRESSED INTENT FOR WHICH IT WAS LENT.

© 2012 Membrana-Charlotte. All rights reserved.

MEMBRANA

INTERPRET GEOMETRIC TOLERANCING PER: ANSI Y14

MATERIAL

DO NOT SCALE DRAWING

SCALE: 1:4

WT:

Purchase Spec:

NAME DATE

DRAWN EWB 08/30/06

ENG APPR.

MFG APPR.

Q.A.

SIZE
A

TITLE:

4 X 13 PP HOUSING W/1" GEORGE FISCHER PORTS

PART NO.

DWG. NO.

SMC-0104-12-7389

SHEET

1 OF 1

REV

1