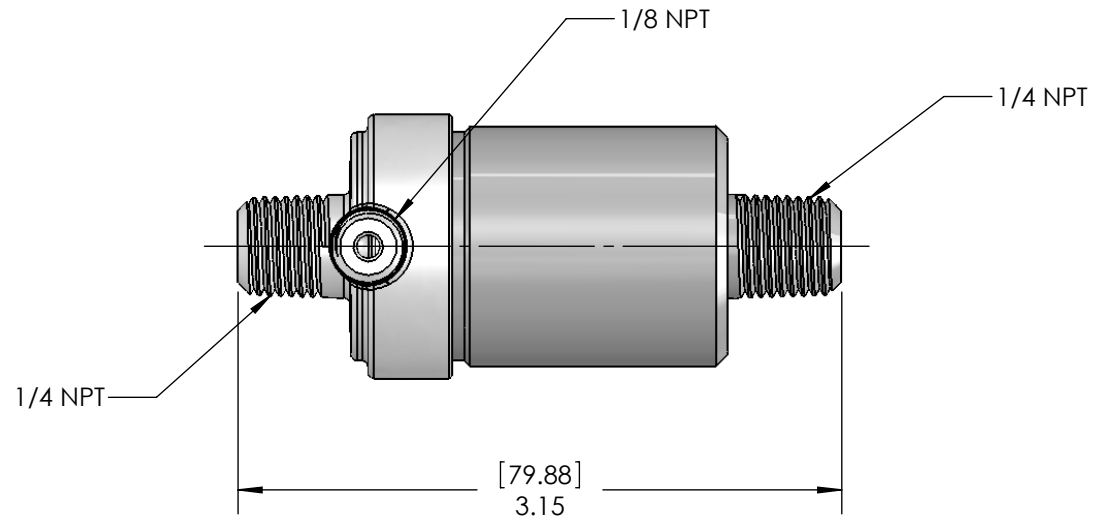
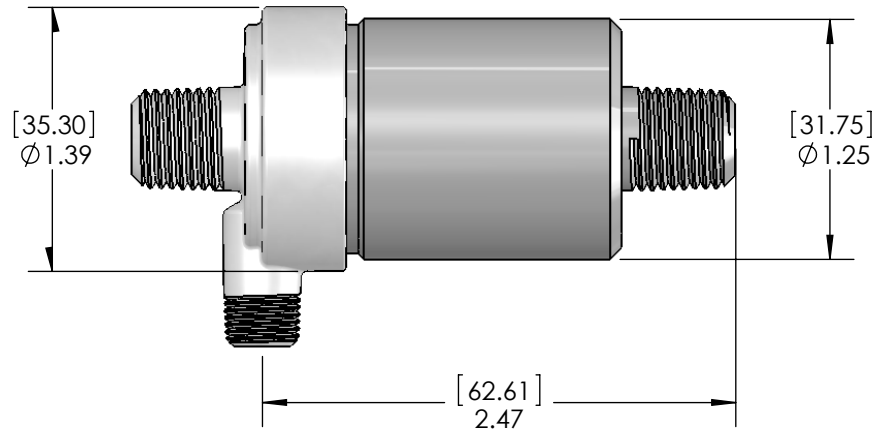
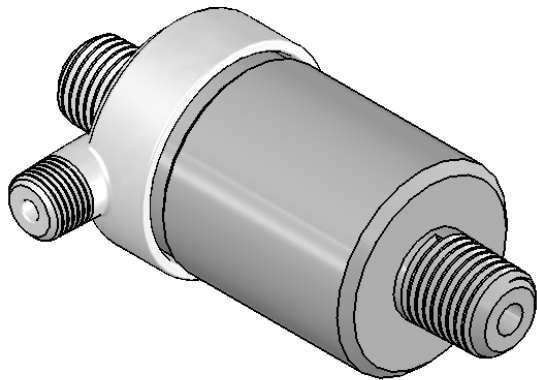


REV.	DESCRIPTION	DATE	APPR.
1	ECN-2012-0060	5/3/2012	TDP



<p>CONFIDENTIAL</p> <p>THE INFORMATION CONTAINED HEREIN IS CONFIDENTIAL, IS THE PROPERTY OF MEMBRANA-CHARLOTTE, AND MAY NOT BE USED BY OR DISCLOSED TO OTHERS WITHOUT THE WRITTEN CONSENT OF MEMBRANA. ALSO, THE INFORMATION CONTAINED HEREIN MAY NOT BE USED FOR ANY PURPOSE OTHER THAN THE EXPRESSED INTENT FOR WHICH IT WAS LENT.</p> <p>© 2012 Membrana-Charlotte. All rights reserved.</p>	UNLESS OTHERWISE SPECIFIED:		SCALE: 1:1	NAME	DATE	
	PRIMARY DIMENSIONS IN INCHES (in)		WT:	DRAWN	GPT	
	SECONDARY DIMENSIONS IN MILLIMETERS (mm)		Purchase Spec:		ENG APPR.	
					MFG APPR.	
	MATERIAL	SIZE A	TITLE: ASSY, 1X3 RADIAL FLOW, 1/4" NPT			
		PART NO.	DWG. NO.	SHEET 1 OF 1	REV 1	
	DO NOT SCALE DRAWING	SMC- 0101-12-7252				